

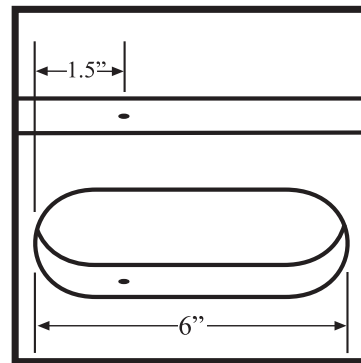
Supplies:

drill, hammer, ten 1/4" diameter 4" pins, 3/16"- six inch long drill bit, permanent marker, eye protection, hearing protection, gloves

Instructions:

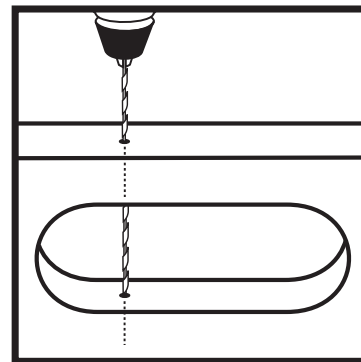
Step 1-

Measure and mark desired location of pin (1.5" from one side is standard) with marker.



Step 2-

Drill hole with 3/16" bit through edge and about 1" into board body, **making sure to drill straight.**



Step 3-

Tap 1/4" diameter 4" pin into hole carefully, until it is flush with outside edge.

